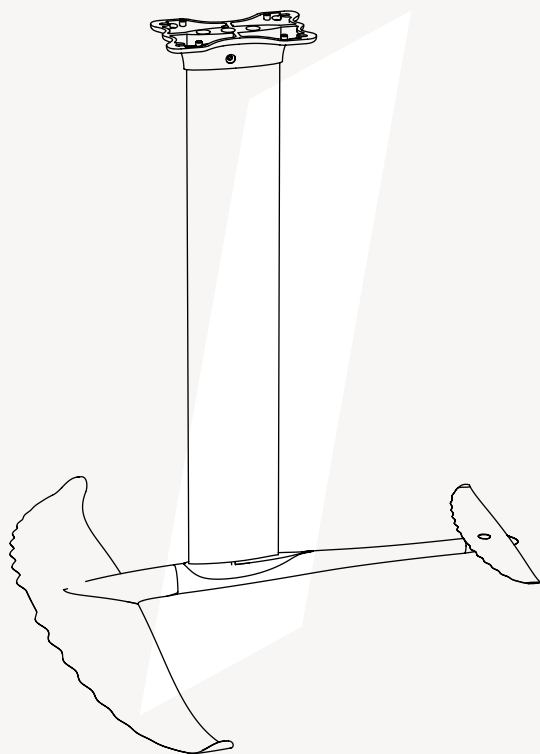


//  
K U J I R A

//



**takuma**

*takes you further*

## Thank you for choosing the **TAKUMA FOIL**

Make sure you are able to use this product in a safe and responsible manner. Do not use it if you are not in good physical health, if you are not an experienced swimmer, or if you are under the influence of alcohol, drugs or medications.

The use of a foil exposes you and others around you to serious risks, the wings and mast have sharp edges that could cause serious bodily harm, even death. It is recommended to take lessons by a certified instructor before using this product on your own.

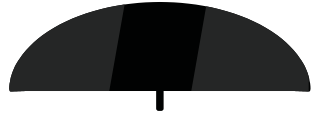
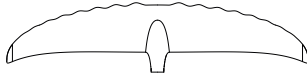
Always make sure you are using this product at a safe distance from others and away from any obstacles. Check for any legal requirements and rules that may apply in your location. Observe local weather forecasts and never go out in dangerous conditions. Take care when handling the foil and always store it in its protective carrying case.

The following are required when using your **FOIL**:

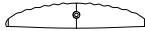
- **a certified personal flotation device (PFD)**
- **a certified helmet**
- **a full neoprene wetsuit, booties and gloves**

By using this product, you agree that you do so at your own risk. TAKUMA does not accept any responsibility for personal injury or material damage in the case of an accident due to incorrect use.

Front wing + cover



Back wing + cover



Fuselage HD2

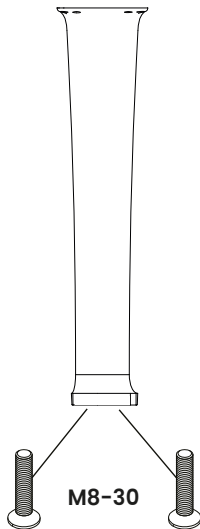


4 x M8-15

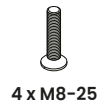


Front wing shims

Carbon mast + cover



M8-30



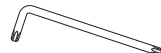
4 x M8-25



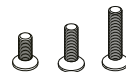
4 x M8-T Nuts



Front wing shims

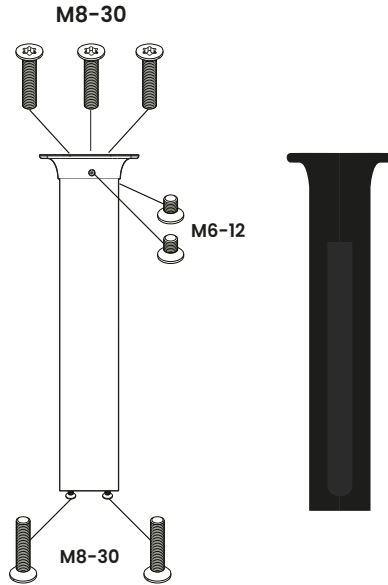


M8 Torx key

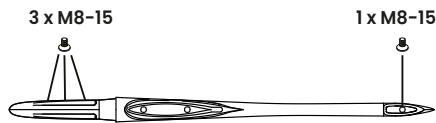


Extra screws

### Mast HD2 + cover

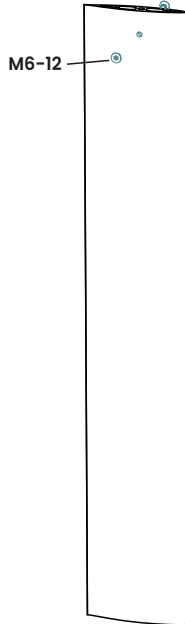
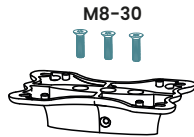


### Fuselage HD2

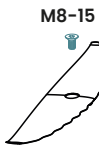
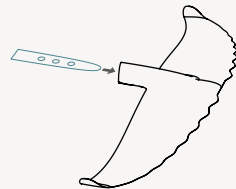




Apply a thin layer of **Tef Gel** on all screws before use to avoid corrosion



Optional  
attach removable  
shim(s) to eliminate  
any movement

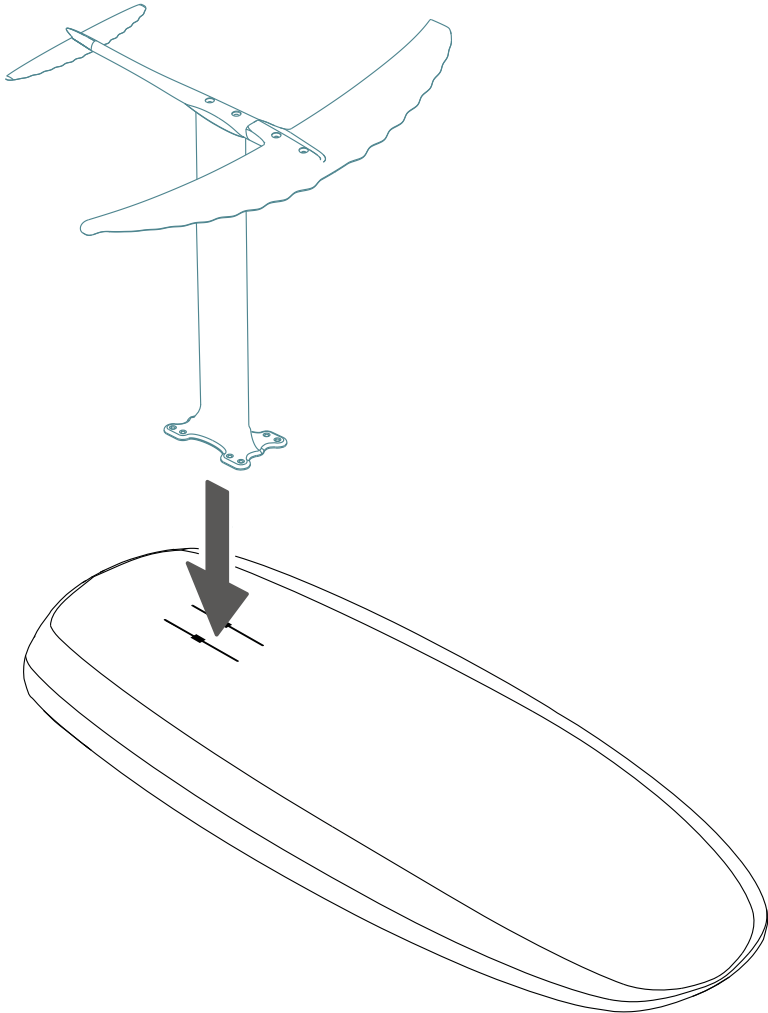


- 2 screws for FW 650, 800, 950, 1100
- 3 screws for FW 1250, 1400

## CARBON MAST

### Foil mount

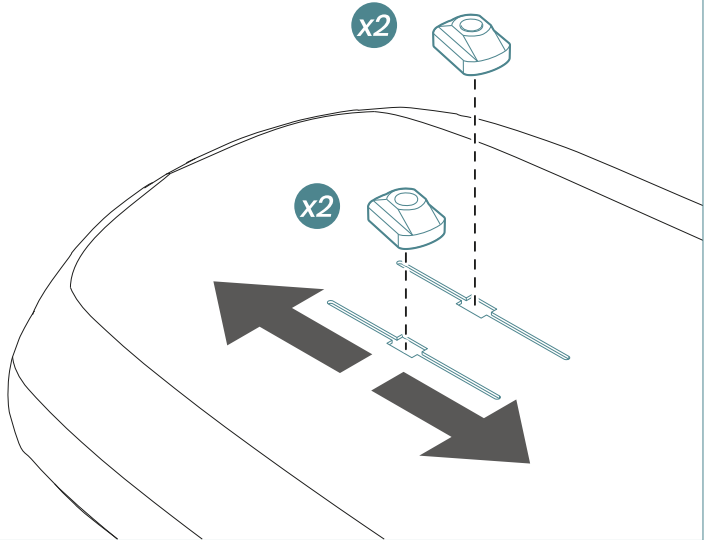
---



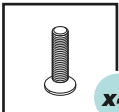
**1**



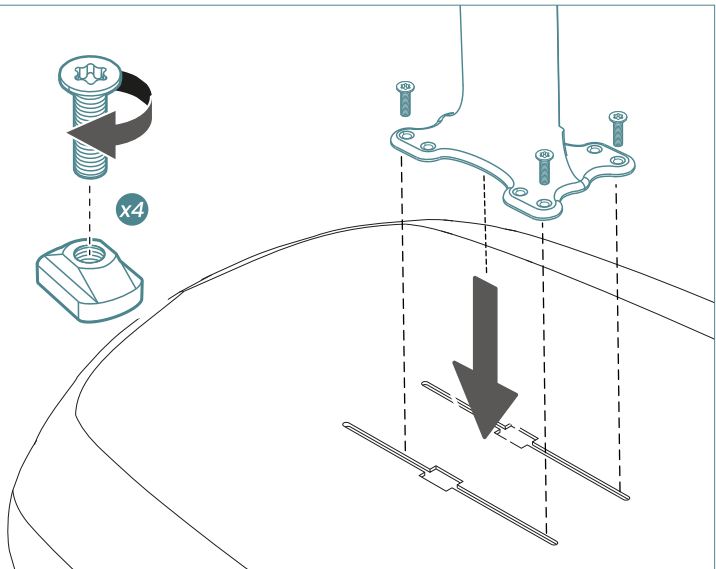
**M8-T Nuts**

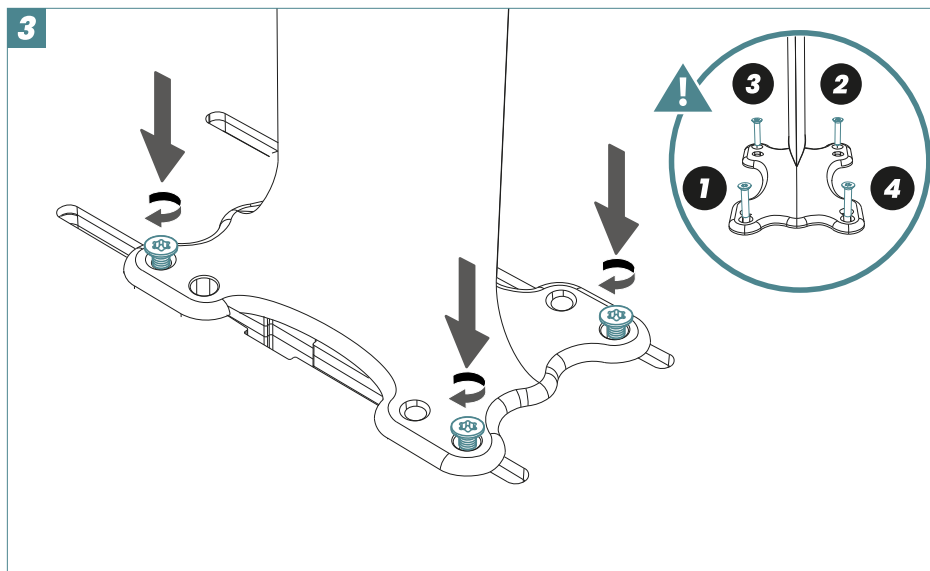


**2**



**M8-25mm**





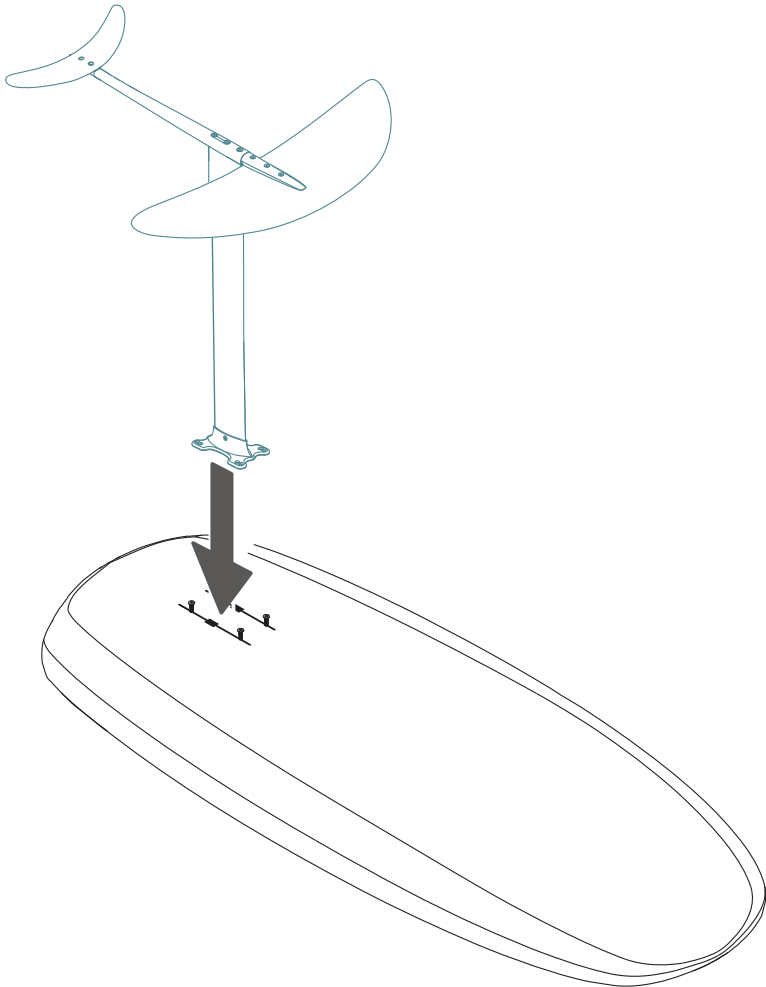




## ALUMINUM MAST

### Foil mount

---

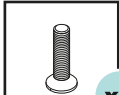


**1**



x4

M6-T Nuts



x4

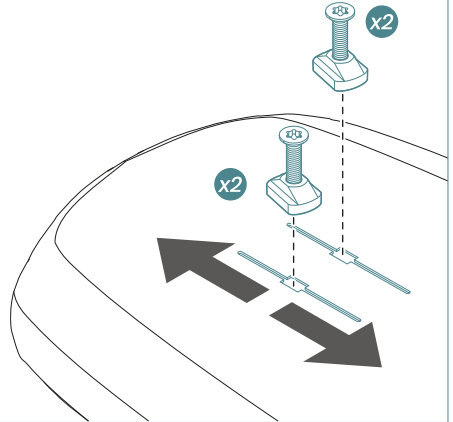
M6-25mm



Tef-Gol



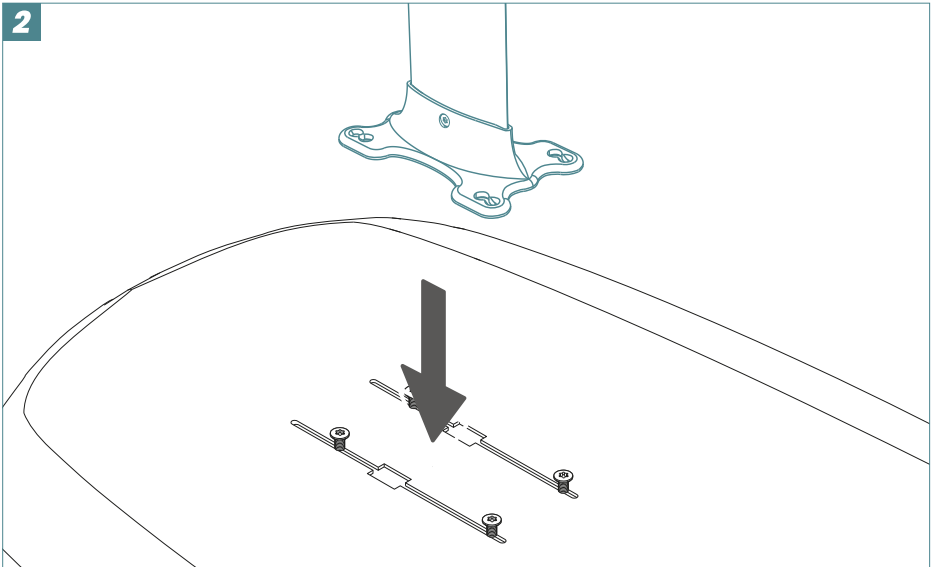
x4



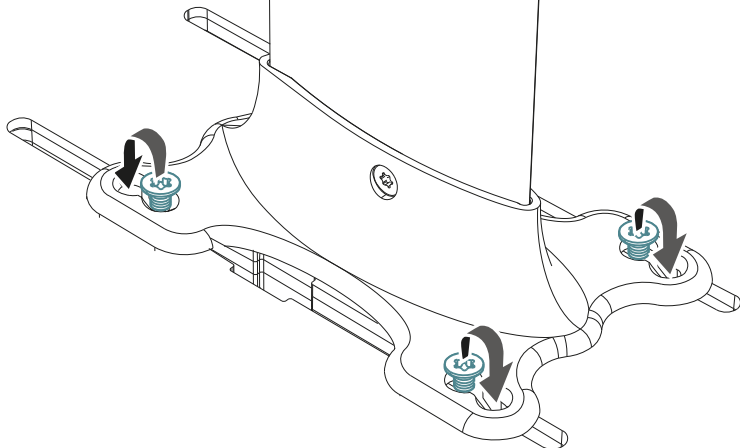
x2

x2

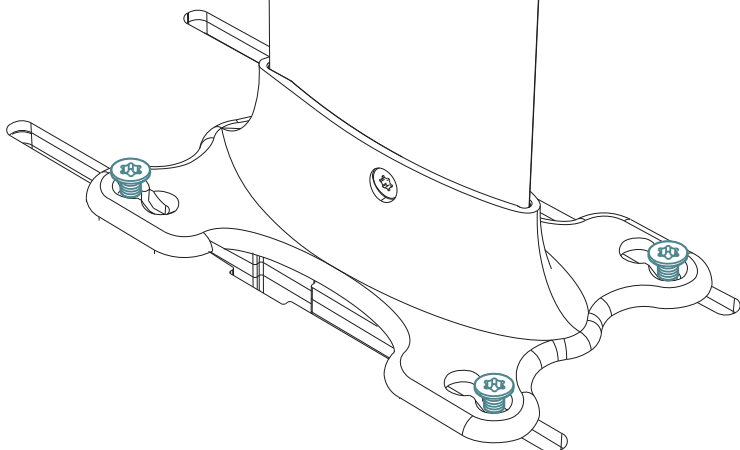
**2**

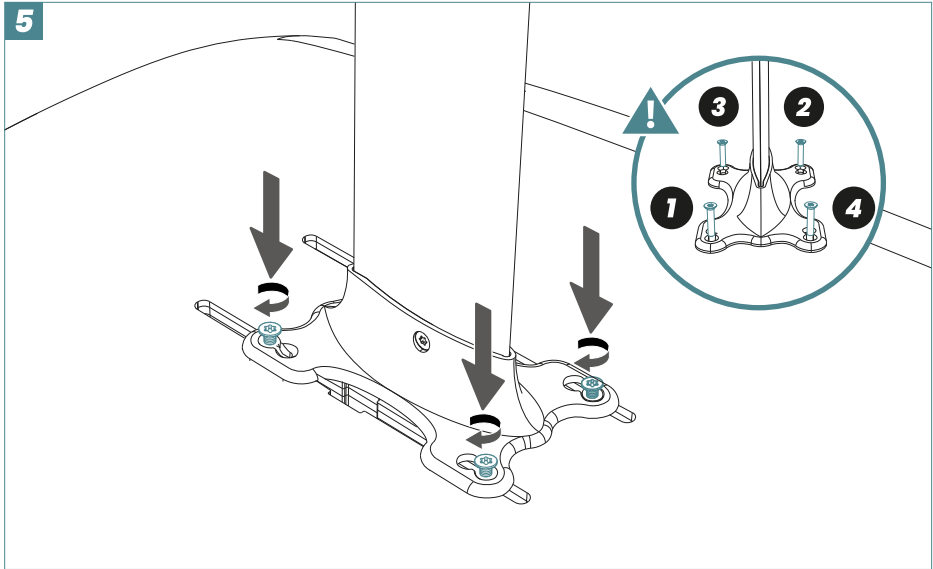


**3**



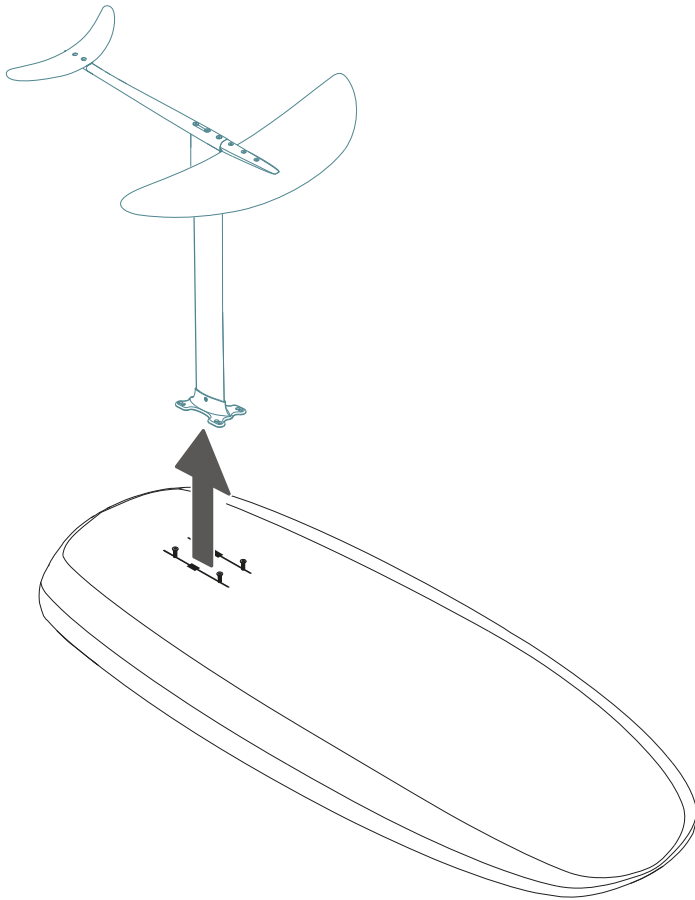
**4**

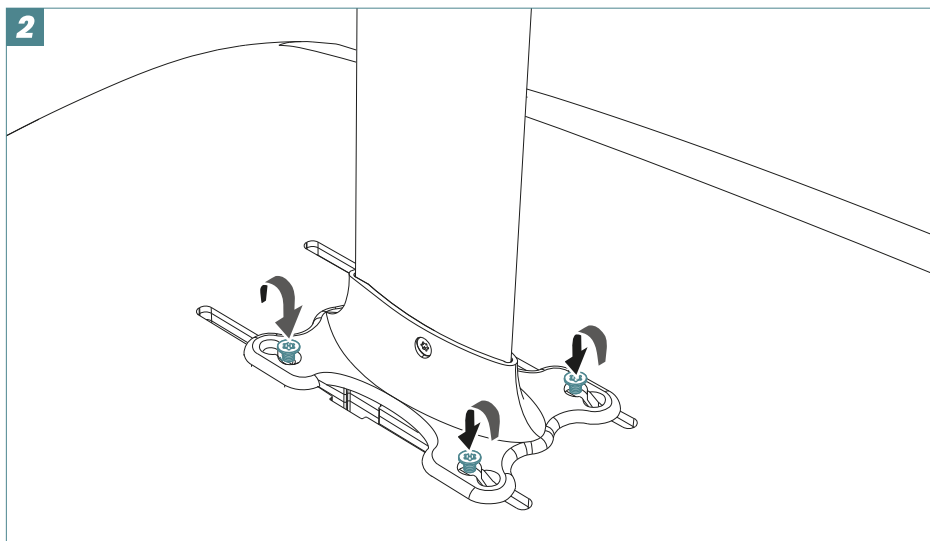
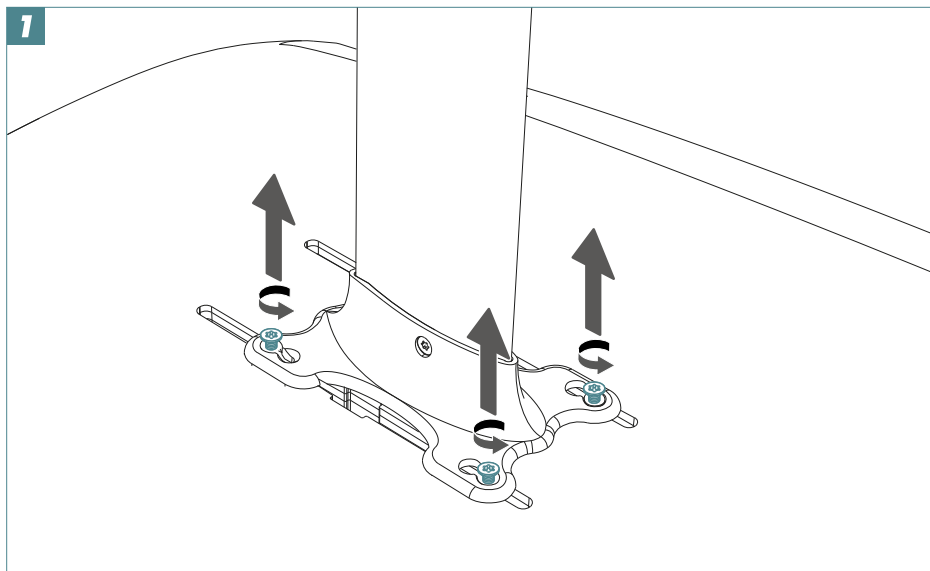


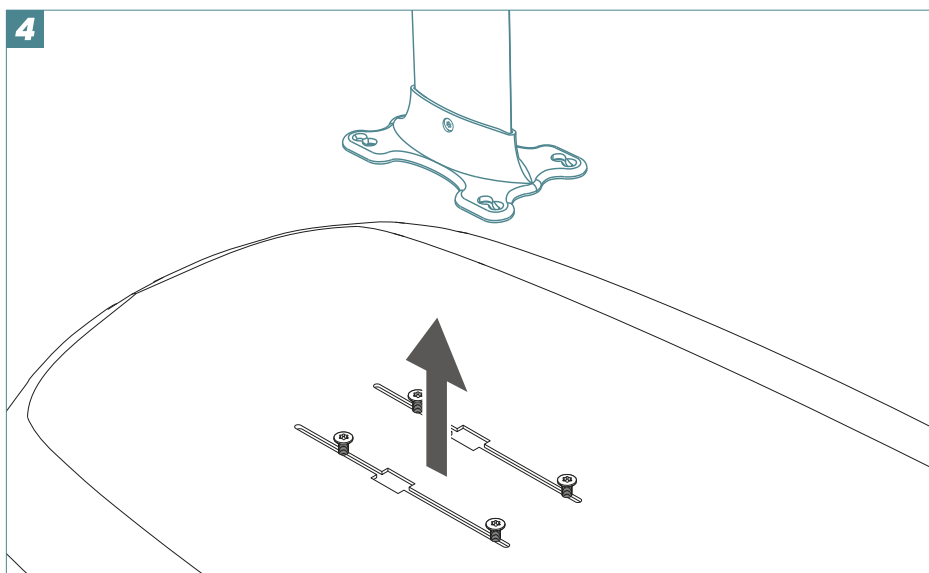
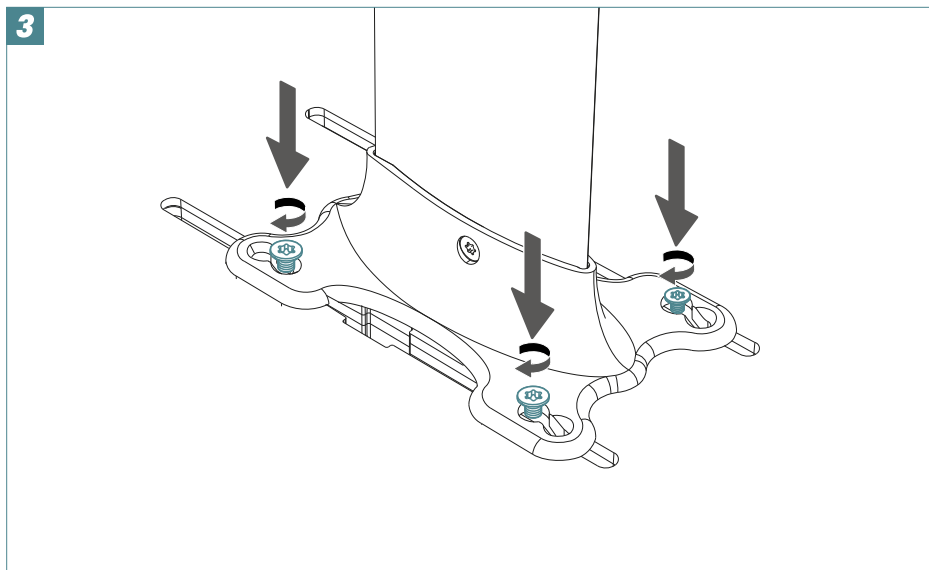


**Foil removal**

---





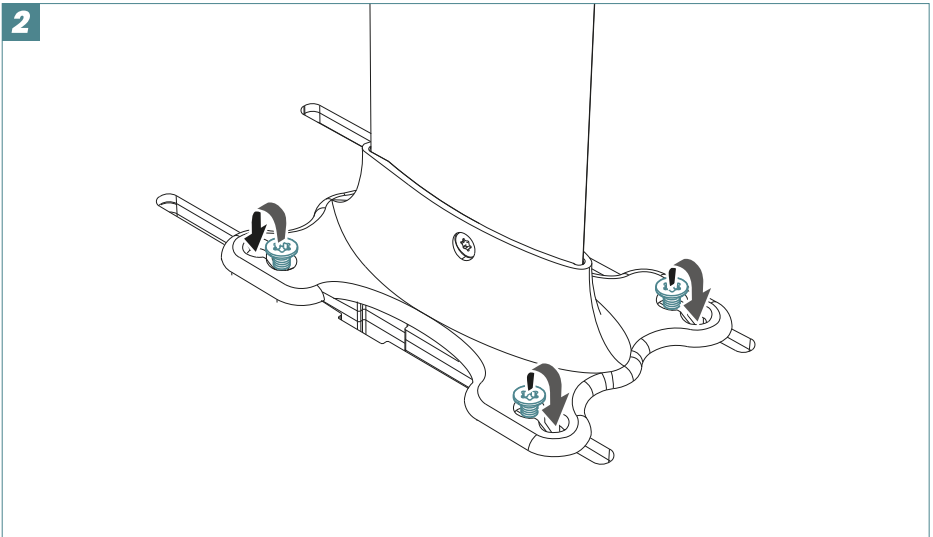
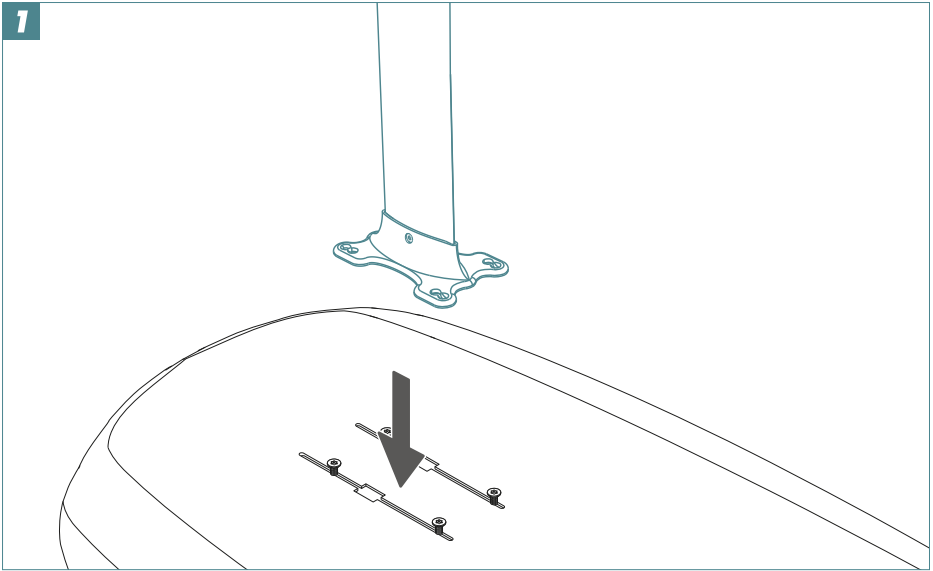




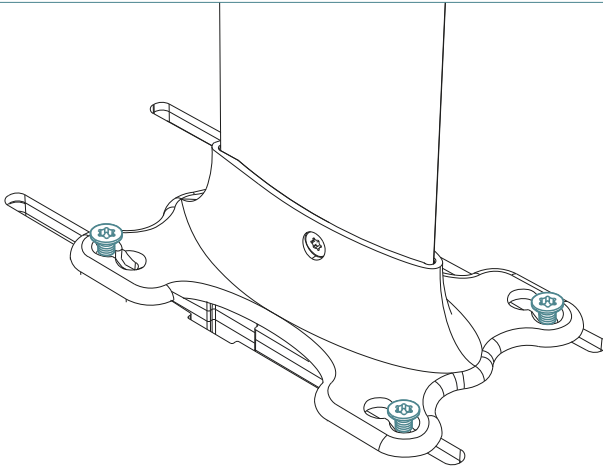


## ***Innovative Top Plate Design (Aluminum mast)***

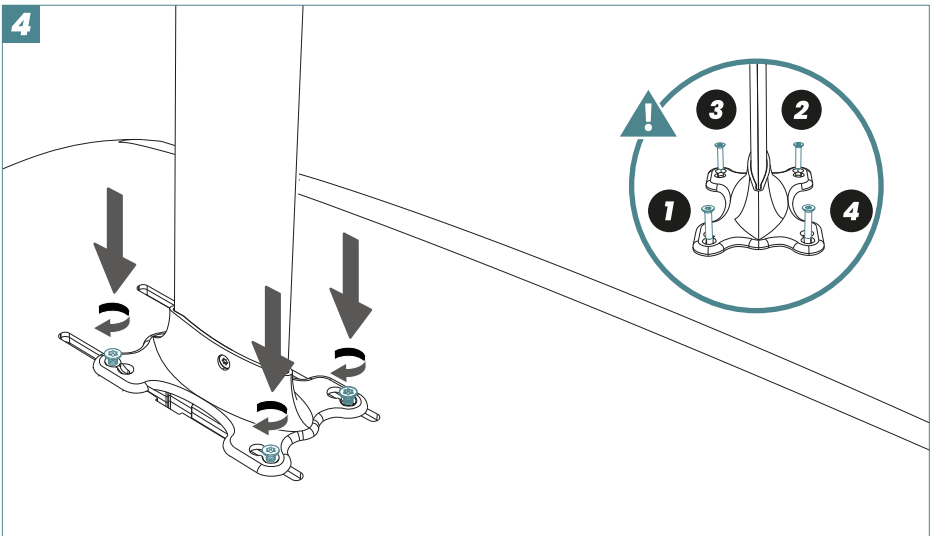
Allows you to keep the screws and T-nuts in the previous position for a quick and easy mount.



**3**

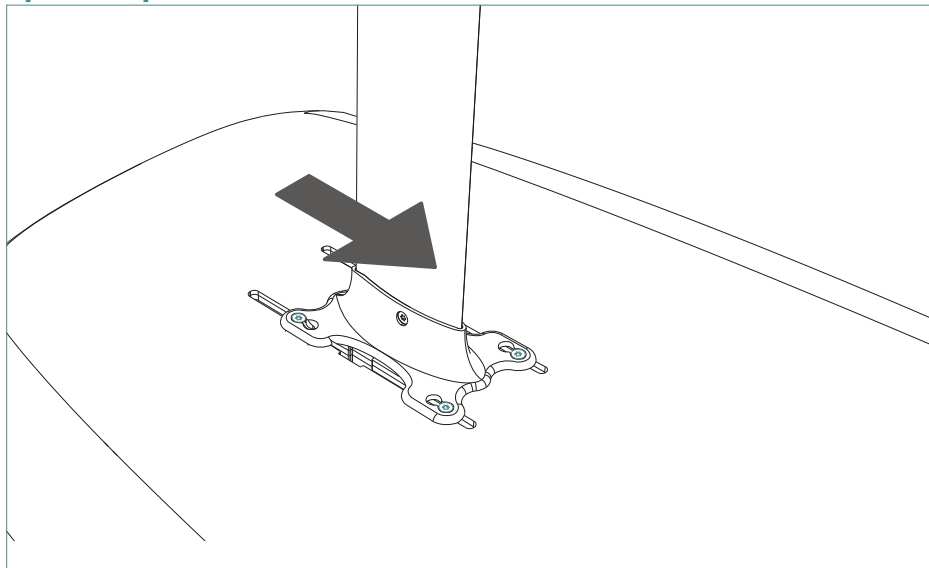


**4**

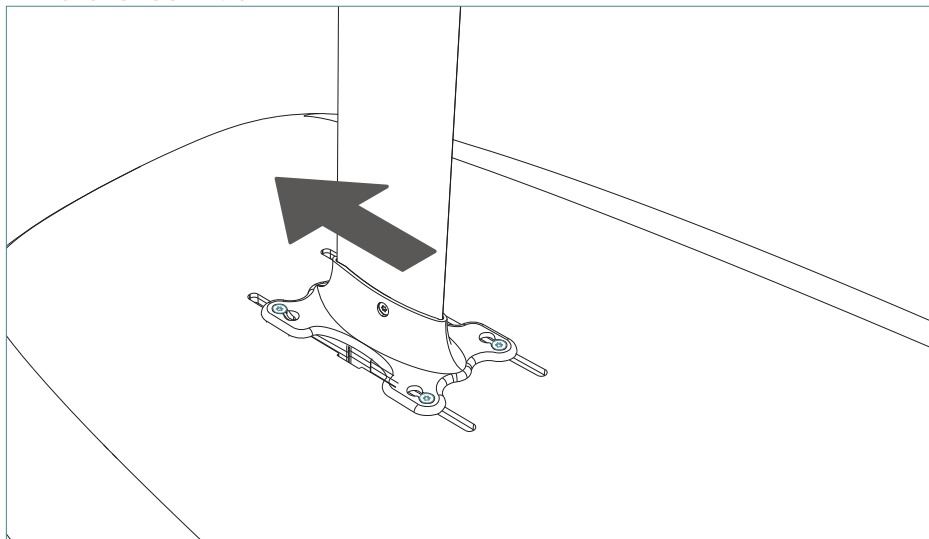


## Foil placement recommendation

### Optimum position



### If there is too much lift





Please refer to our website to review our warranty policy:

[\*\*takuma.com\*\*](https://www.takuma.com)



**takuma**

*fly above water*

**After-Sales Service:**  
**[customerservices@takuma.com](mailto:customerservices@takuma.com)**

**Please find our tutorial videos on our youtube channel:**  
**<http://youtube.takuma.com>**

